



HowTo

---

**Measure**

for  
**Roman Shades**  
and  
**Soft Window**  
**Fashions**

TOSCANA SOFT TREATMENTS



# TOSCANA MEASURING GUIDE

Measure carefully using a steel tape measure to assure accuracy.

## Roman Shades

### Inside Mount

The Roman Shade will hang within the window frame providing a clean, built-in look. Minimum window depth required: 1-1/2".

Measure:

Width – in 3 places (top, middle & bottom) & use the narrowest dimension.

Length – in 3 places (left, center & right) & use the longest dimension.

### Outside Mount

The Roman Shade will hang outside the window frame or molding.

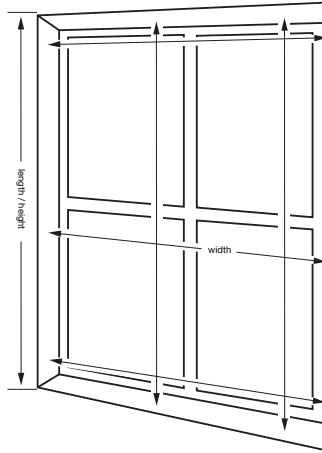
To be used when there is not enough window depth for an inside mount.

Mount to surrounding wall, ceiling or window frame/molding. No minimum window depth required.

Measure:

The width & length of window area you want to cover.

If space allows, we recommend adding 1"-1.5" of width to each side of window (2"-3" total) to reduce light penetration from edges of shade.



## Drapery Panels

**ALL PANELS ARE SOLD AS SINGLE PANELS NOT IN PAIRS.**

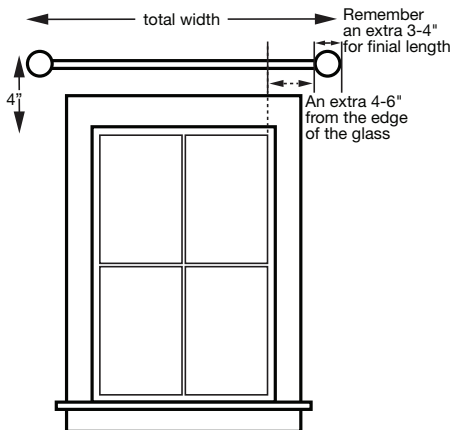
They come in pre-set widths and are made to length to the 1/2"

### Width:

Measure the width of the window area you'd like to cover.

Take time to plan your installation and get the measurements correct.

We recommend adding an additional 4"-6" to each side from the edge of the window glass.



This allows the drapery panels, when pulled to their sides, to clear the window allowing more natural light in.

Consider the decorative hardware you'll be using to hang the panels from.

Finials add another of 6-8" (3"-4" for each finial on both ends of the pole) to the total space of window/wall area you'll need.

Consult our SIZING SOLUTIONS charts for selecting the correct pre-set panel width and number of panels to order.

Our recommendations allow for fullness that is already built into the panels.

### Length:

Finished panel length is measured from the top of drapery panel to the bottom.

It includes the rod pocket (either 1.5" or 3", but does not include the header), grommets, pleats or tabs (either on back or top of panel).

The finished panel length you provide to the 1/2" will be the exact measurement the drapery panel will be made to.

Consider the additional height you will gain when hanging the panels from decorative poles.

It is recommended to mount the pole approximately 4" above the window frame.

If the panel is being mounted directly onto pole through the rod pocket, grommets or tabs, no additional length is added.

If using clip rings to attach the rod pocket or pleated panel, they will extend the length of the panel by 2"-4" from the top of the rod to the top of the panel, depending on the diameter of pole and rings.

This must be factored into your length measurements.

### **Drapery Panel Length Advice:**

*You can specify any length desired to the 1/2"*

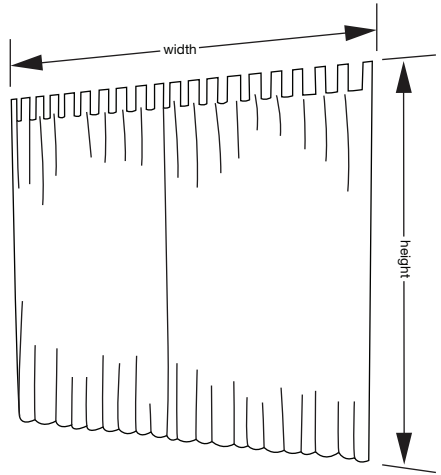
*Floor Length panels should be 1/2" above the floor for easy operation.*

*Puddle Length panels should have another 6"-10" of length to pool the fabric on the floor. This length is not recommend for high traffic areas or drapery that needs to be opened and closed often.*

### **Pole Mounted Valances**

Pole Mounted Valances are sold as pre-set sizes in single units. Each style has a unique shape & size.

We instruct to order 1 valance for every X " of window width depending on the style.



As with the Drapery Panels, consideration must be given to the hardware the valances will be hung from. The window/wall width you'll need to cover and the extra length that clip rings will add to the valance.

### Board Mounted Valances And Upholstered Cornice Boards

#### OUTSIDE MOUNT ONLY

Pre-set drops and lengths.

Made to width to the 1/2".

When planning to mount the valance or cornice over outside mounted undertreatments like roman shades or drapery measure the window area you need to cover with the shades or drapery panels (including the drapery hardware) first and then add 1"-6" beyond that to easily install the valance or cornice, clearing the undertreatment below.

2 Return (depths) sizes offered:

4" For mounting over blinds & shades

7" for mounting over drapery treatments

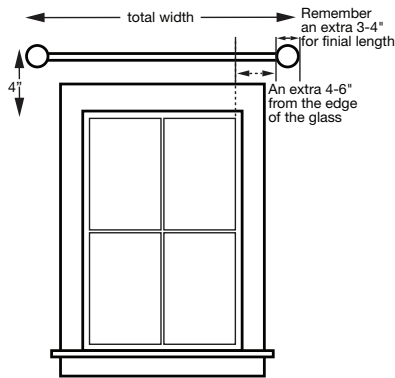
### Decorative Hardware Poles For Mounting Drapery Panels & Valances

Measure the window/wall area you want to cover with drapery panels/pole mounted valances.

Approximately 4" above the frame and 4"-6" beyond the edge of the window glass on each side is the recommended position for mounting brackets, if space allows.

Consider the additional height your drapery length will gain when using clip rings

(2"-4" depending on pole & ring diameters) to attach rod pocket panels, pleated panels, or pole mounted valances to the pole. Otherwise, they're shirred onto the pole with no additional length gained.



**Note: Subtract from actual panel length needed for:**

**1 1/4" Metal rings: -2 3/4"**

**1 1/4" & 1 3/8" Small Wood rings: -2 1/2"**

**1 7/8" & 2" Large Wood rings: -3 1/4"**